

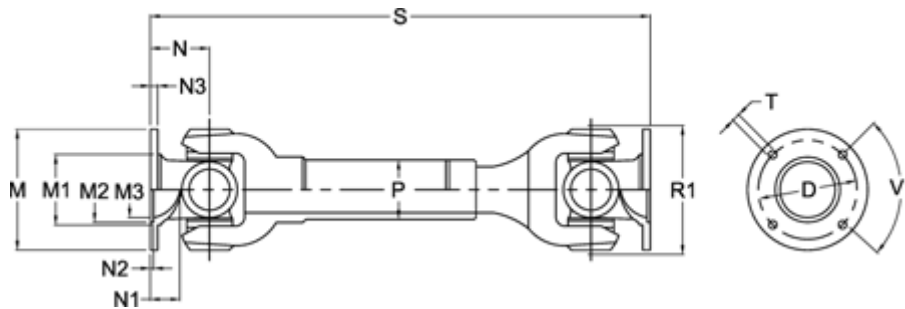
Data Sheet



Article number: 071071400250035

Description: Cardan drive shaft 0.107.140.001
S=250 X=35 Bore with keyway

Measures



D	= 62 +-0,1	N1	= 15	T	= 6 B12
Extension X	= 35	N2	= 2,2 +0,3	V1 degrees	= 60
Flange diameter M	= 75	N3	= 5.5		
M1	= 45	Number of Flangeholes	= 6		
M2	= 42	P	= 40x2		
M3	= 35	R1	= 70		
Max. Bending Angle degrees	= 30	S min	= 250		
N	= 36	Spline dim. DIN 5480	= 28x1,5x17		